

MODEL G8000 Series Mechanical Defrost Timer Installation Instructions

⚠ WARNING Risk of Electric Shock or Fire

- Turn all power off before servicing this switch or the equipment it controls.
- Follow local electrical and safety codes, National Electric Code (NEC) and Occupational Safety and Health Act Codes (OSHA).
- Ground enclosure or bracket in accordance with National Electrical Code, Canadian Electrical Code, and local requirements.
- Make sure there is no wire insulation under the terminal plate on time switch connector. Firmly tighten terminal screws.
- Use 90 degree C minimum copper conductors only.
- Reinstall Safety Guard after wiring.

READ AND SAVE INSTALLATION INSTRUCTIONS

Installation/Replacing Timer With G8000 Enclosure

1. Take one of these actions.

If you are...	Then...
Switching out the G8000 Defrost Timer in a different enclosure or bracket,	Perform the applicable G8000 changeout procedure: <ul style="list-style-type: none"> • Replacing Existing Timer in Enclosure with G8000 mechanism • Replacing Existing Timer with G8000 on Bracket or Bracket inside Enclosure
Mounting G8000 enclosure with the mechanism,	Follow steps 2 through 9.

2. Insert screwdriver into slot on G8000 Defrost Timer and remove mechanism from Intermatic enclosure. See Figure 1.

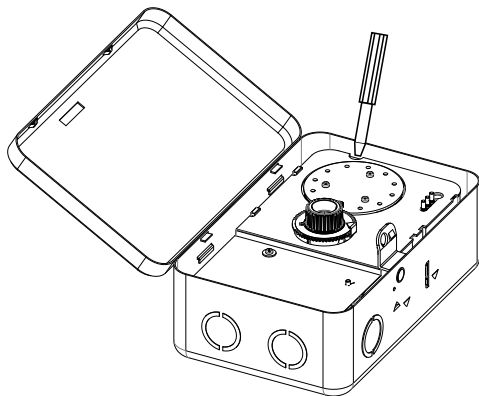


Figure 1. Removing G8000 Defrost Timer from Intermatic enclosure.

3. Install the enclosure in the desired location that provides adequate space for the enclosure door to swing open fully.
4. Drill the holes and then clean out each hole.
5. Use appropriate mounting hardware as needed.
6. Insert the screw into the top hole and tighten.
7. Hang the enclosure over the top screw.
8. Insert the other screws through the holes in the enclosure and into the remaining holes in the wall. Tighten the screws.
9. Install the timer in the enclosure. Connect wiring. See Connecting G8000 Wiring.

Replacing Existing Timer in Enclosure with G8000 Mechanism

1. Disconnect power to the mechanism you want to replace.
2. Disconnect the wires from the old mechanism.
3. Remove the old mechanism from the enclosure.
4. Insert screwdriver into slot on G8000 Defrost Timer and remove it from Intermatic enclosure. See Figure 1.
5. If necessary, snap the tabs off the G8000 Defrost Timer with your fingers or pliers. See Figure 2.

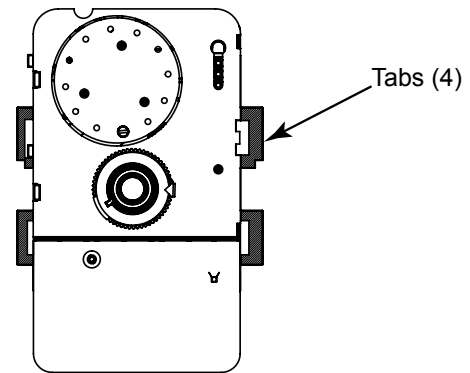


Figure 2. Snapping tabs off mechanism.

6. Snap the mechanism in the applicable enclosure. See Figure 3.

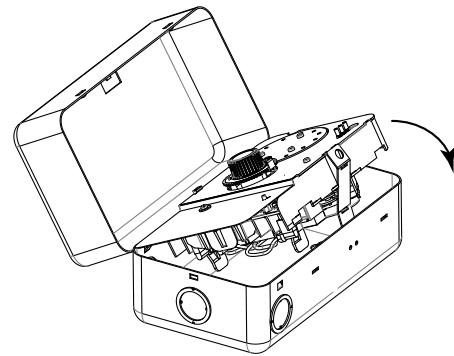


Figure 3. Installing the G8000 Defrost Timer.

Replacing Existing Timer with G8000 On Bracket or Bracket Inside Enclosure

1. Disconnect power to old mechanism you want to replace.
2. Disconnect the wires from the old mechanism
3. Remove the old mechanism from the bracket or the bracket in the enclosure.
4. Insert screwdriver into slot on G8000 Defrost Timer and remove it from the Intermatic enclosure. See Figure 1.
5. If necessary, snap the tabs off the G8000 Defrost Timer with your fingers or pliers. See Figure 2.
6. Snap the timer on the bracket as shown in Figure 3, or if applicable, the snap timer on bracket in the enclosure as shown in Figures 4 and 5 on the back.
7. Make sure the mechanism is fastened securely on the bracket.

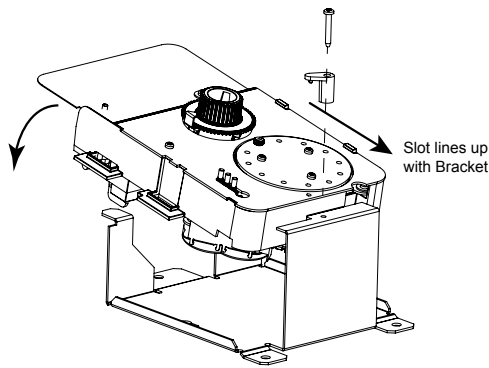


Figure 4. Snap Defrost Timer on bracket.

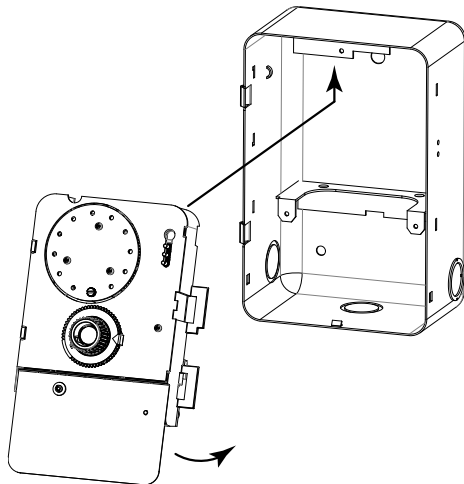


Figure 5. Installing G8000 in bracket in enclosure

Connecting G8000 Wiring

1. Turn power off at breaker.
2. Remove the retaining screw that secures the plastic insulator. Set aside the screw for re-use.
3. Strip the wires 1/2 inch.
4. Connect the wires to the proper terminals on the time switch connector. Tighten screws firmly. See the supplied wire diagram.
5. Return the plastic insulator to its original position.
6. Reinstall the retaining screw that was previously removed.

TERMINAL BLOCK WIRE COMBINATIONS		
TERMINALS	WIRE RANGE (AWG)	TORQUE (IN-LBS)
LARGE	14-8	40
SMALL	18-12	9

TERMINAL BLOCK MAY BE USED WITH UP TO TWO WIRES OF THE SAME TYPE (SOLID OR STRANDED) AND SAME SIZE PER TERMINAL.

LIMITED TWO YEAR WARRANTY

If within the warranty period specified, this product fails due to a defect in material or workmanship, Intermatic Incorporated will repair or replace it, at its sole option, free of charge. This warranty is extended to the original purchaser only and is not transferable. This warranty does not apply to: (a) damage to units caused by accident, dropping or abuse in handling, acts of God or any negligent use; (b) units which have been subject to unauthorized repair, opened, taken apart or otherwise modified; (c) units not used in accordance with instructions; (d) damages exceeding the cost of the product; (e) sealed lamps and/or lamp bulbs, LED's and batteries; (f) the finish on any portion of the product, such as surface and/or weathering, as this is considered normal wear and tear; (g) transit damage, initial installation costs, removal costs, or reinstallation costs.

INTERMATIC INCORPORATED WILL NOT BE LIABLE FOR INCIDENTAL OR CONSEQUENTIAL DAMAGES. SOME STATES DO NOT ALLOW THE EXCLUSION OR LIMITATION OF INCIDENTAL OR CONSEQUENTIAL DAMAGES, SO THE ABOVE LIMITATION OR EXCLUSION MAY NOT APPLY TO YOU. THIS WARRANTY IS IN LIEU OF ALL OTHER EXPRESS OR IMPLIED WARRANTIES. ALL IMPLIED WARRANTIES, INCLUDING THE WARRANTY OF MERCHANTABILITY AND THE WARRANTY OF FITNESS FOR A PARTICULAR PURPOSE, ARE HEREBY MODIFIED TO EXIST ONLY AS CONTAINED IN THIS LIMITED WARRANTY, AND SHALL BE OF THE SAME DURATION AS THE WARRANTY PERIOD STATED ABOVE. SOME STATES DO NOT ALLOW LIMITATIONS ON THE DURATION OF AN IMPLIED WARRANTY, SO THE ABOVE LIMITATION MAY NOT APPLY TO YOU.

This warranty service is available by either (a) returning the product to the dealer from whom the unit was purchased, or (b) completing a warranty claim on line at www.intermatic.com. This warranty is made by: Intermatic Incorporated, Customer Service 7777 Winn Rd. Spring Grove, Illinois 60081-9698. For warranty service go to: <http://www.intermatic.com> or call 815-675-7000.

INTERMATIC INCORPORATED
 SPRING GROVE, ILLINOIS 60081-9698
www.intermatic.com

FOR UNITS WITH SOLENOIDS (G8145-00 and G8145-20)

WARNING Risk of Electric Shock or Fire

The defrost terminating solenoid on this defrost control is not intended for continuous duty operation.

After you complete the G8000 wiring, be sure to perform the procedure below.

1. Rotate the timer knob counter-clockwise until the tripper screw is in-line with the time of day pointer.

NOTICE Risk of Damage to Timer

- Do NOT rotate the timer knob clockwise.
- Turning the knob clockwise can damage the gears in the timer.

2. Connect a voltmeter across solenoid terminals X and 3.
3. Activate power to the timer.
4. Take one of these actions.

If...	Then...
Voltage is present at the solenoid terminals,	Turn off power and check wiring and other system components for feedback voltages.
There is no voltage present at the solenoid terminals	Proceed to step 5.

5. Rotate timer knob until timer transfers power into Defrost Mode.
6. Determine if voltage is present at solenoid terminals X and 3.
7. Take one of these actions.

If...	Then...
Voltage is present at the solenoid terminals,	Turn off power and check wiring and other system components for feedback voltages.
There is no voltage present at the solenoid terminals	Turn off power to the defrost timer and disconnect the volt meter from the solenoid terminals.

NOTE: After you have verified that there is no feedback voltage, the procedure is complete.