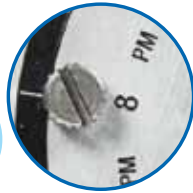


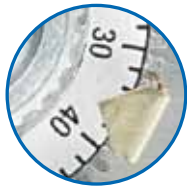
ready,
set,



1 Set
Time



2 Set
Defrost



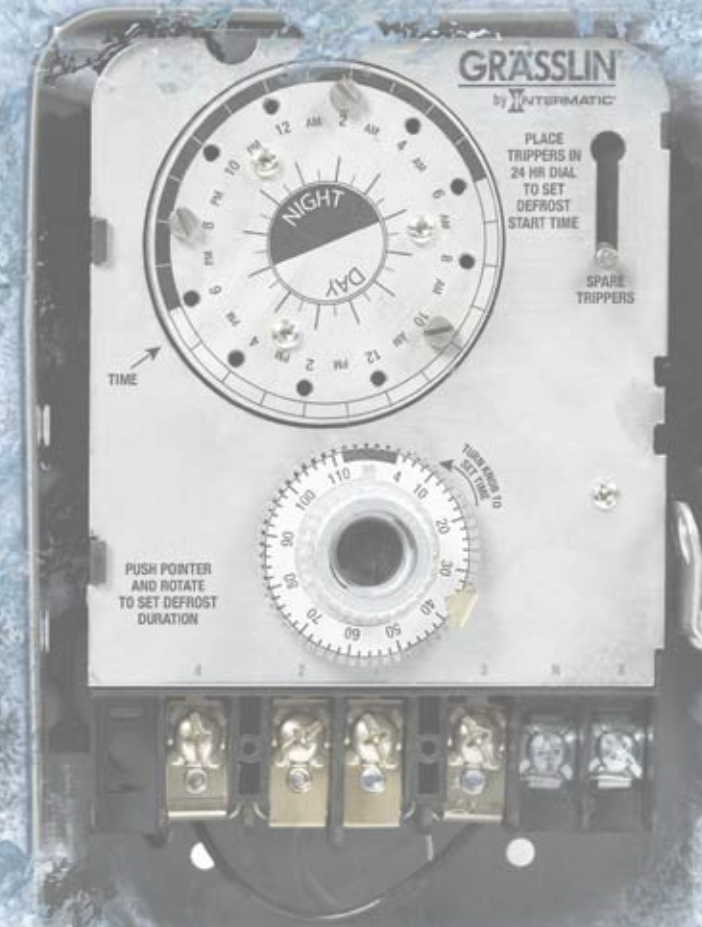
3 Set
Defrost
Duration

GO!

Intermatic Incorporated
7777 Winn Road
Spring Grove, IL 60081

Switch It Up!

Switch It Up!



G8000 Series
Defrost Timer

GRASSLIN
by **INTERMATIC**

Make the Change...

Switch to the G8000 Defrost Timer

As a trusted industry leader in time-based controls for over 60 years, Intermatic proudly introduces the new **G8000 Defrost Timer**.

Complete with an industry-leading **2-year warranty**, the G8000 features heavy-duty silver-plated welded amp contacts. Its encapsulated design prevents dust and dirt buildup.

The G8000 easily snaps into most enclosures, for quick and **easy installation**.

Why settle for less?
Switch to the most reliable name in mechanical controls with the Intermatic **G8000 Defrost Timer**.



Standard Features

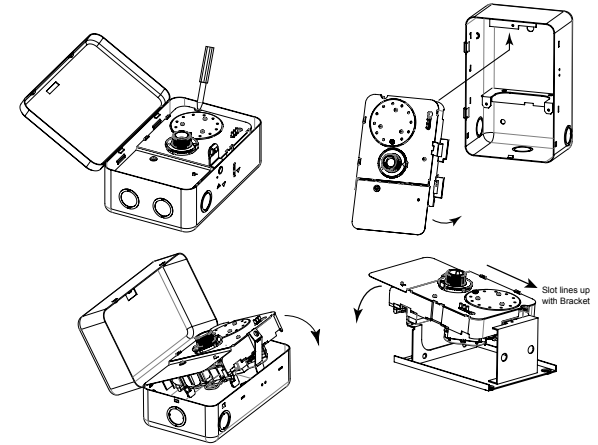
- 40 Amp 2 HP contacts
- Time Initiated. Temperature, Pressure, or Time Terminated.
- 1-6 defrost events per day
- Minimum Time Termination 4 min.
- Maximum Time Termination 110 min.
- Operating Voltage: 120 or 208-240 VAC, 60 Hz.
- Spare Tripper Holder

Get More... From Your Defrost Timer

	G8000	Competitors
2-year limited warranty	✓	
Heavy-duty silver-plated welded 40 amp contacts	✓	
Encapsulated timer module design prevents dust and dirt buildup	✓	
Switching design exceeds 30,000 cycle UL873 Refrigeration standard	✓	
Quick and easy installation	✓	

Model #	VAC, 60 Hz	Switch	Description
G8045-00	120	1 N.O./1 N.C.	Time Initiated.
G8045-20	208-240	1 N.O./1 N.C.	Time Terminated.
G8145-00	120	1 N.O./1 N.C.	Time Initiated.
G8145-20	208-240	1 N.O./1 N.C.	Temperature, Pressure, or Time Terminated.

Gain Versatility... With the G8000 Timer Mechanism



Mechanism fits into most enclosures & Replaces the following

Intermatic	Paragon	SUPCO	Precision
G8045-00	8045-00	S804500	6045-00
G8045-20	8045-20	S804520	6045-20
G8145-00	8145-00	S814500	6145-00
G8145-20	8145-20	S814520	6145-20

